

THIS DRAWING IS UNPUBLISHED.

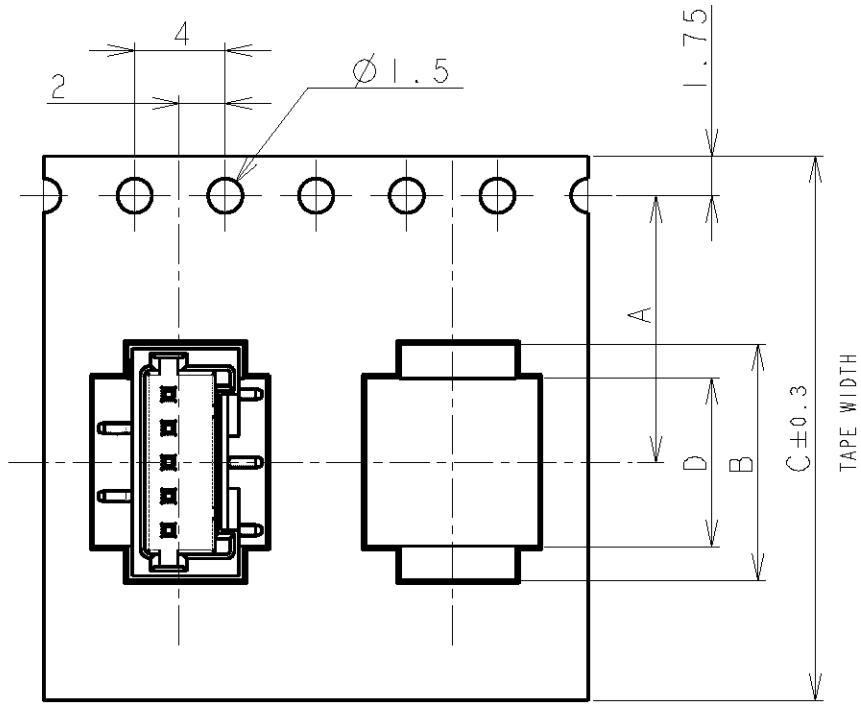
RELEASED FOR PUBLICATION

19

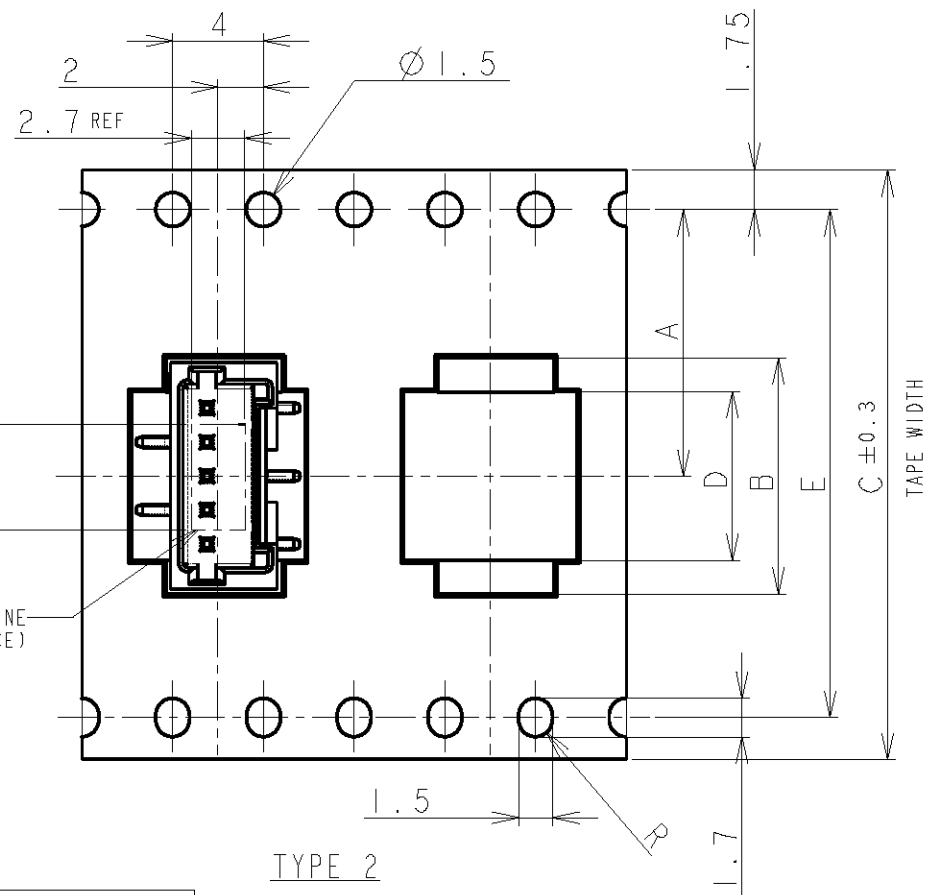
© COPYRIGHT 19

BY AMP INCORPORATED. ALL RIGHTS RESERVED.

LOC	DIST	REVISIONS				
P	LTR	DESCRIPTION	DATE	DWN	APVD	
FB	00	B	REVISED	ECR-05-000512	20JAN06	C.W.S.Y

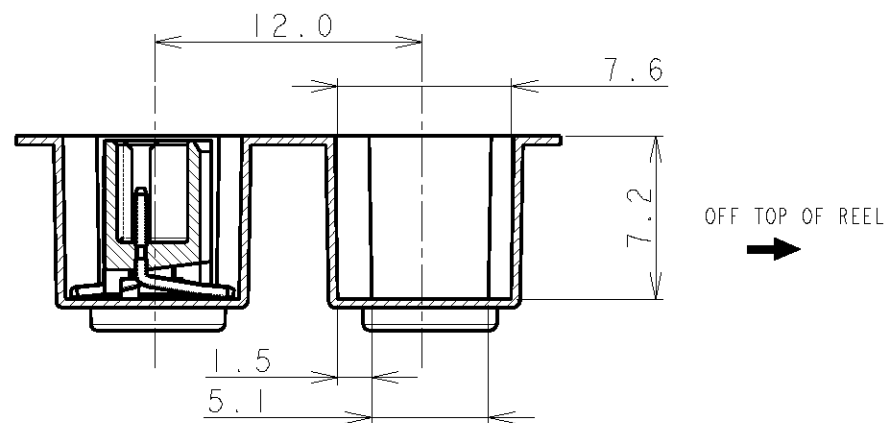
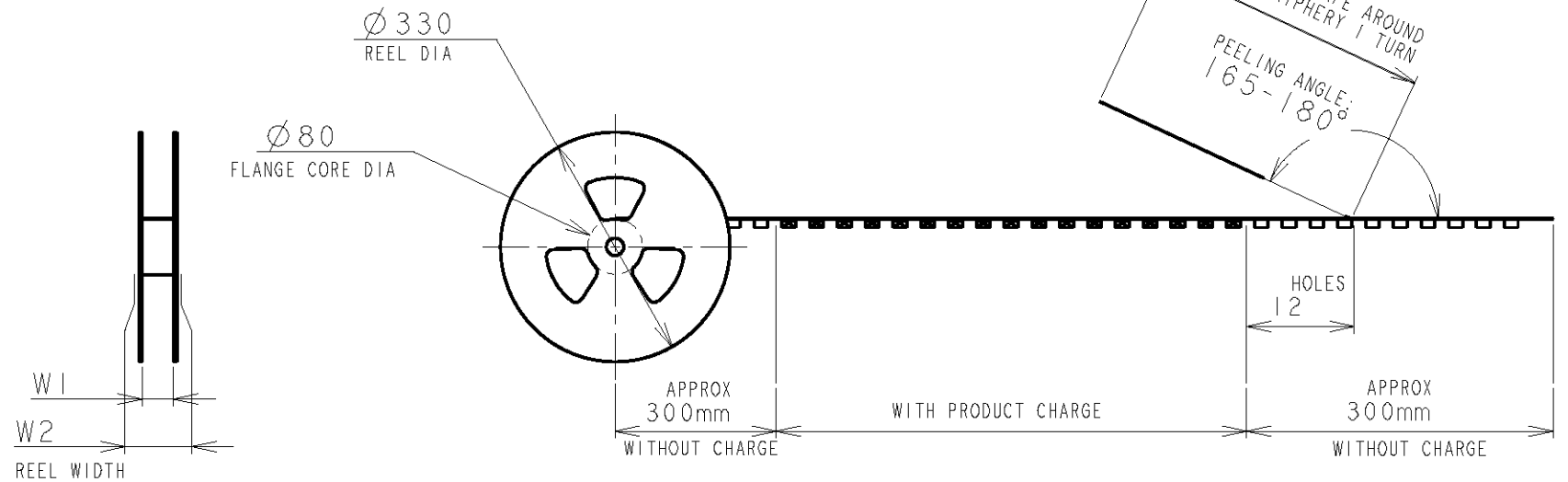
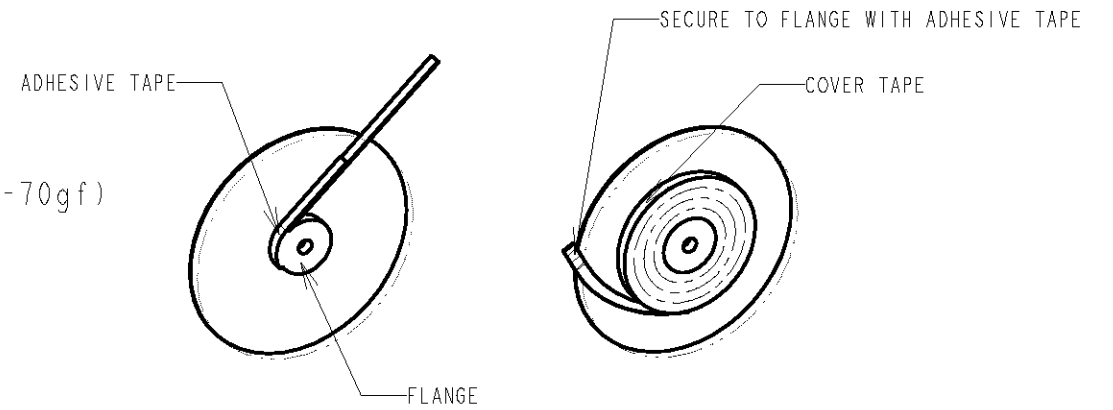


TYPE 1



TYPE 2

NOTE:  
 1. PEELING STRENGTH: 0.20-0.69N (20-70gf)  
 PEELING ANGLE: 165-180°  
 PEELING SPEED: 300mm/MINUTE.



VACUUM NOZZLE OUTLINE (FOR REFERENCE)

TOLERANCES UNLESS OTHERWISE SPECIFIED:

- 10 > : ±0.2
- 30 > \* > 10 : ±0.25
- 100 > \* > 30 : ±0.3
- ANGLE : ±3°

THIS DRAWING IS A CONTROLLED DOCUMENT FOR AMP INCORPORATED. IT IS SUBJECT TO CHANGE AND THE CONTROLLING ENGINEERING ORGANIZATION SHOULD BE CONTACTED FOR THE LATEST REVISION.		DWN S. XU 31JAN03	Tyco Electronics Corporation SHANGHAI, CHINA				
DIMENSIONS: mm		CHK S. YAO 31JAN03					
TOLERANCES UNLESS OTHERWISE SPECIFIED: 0 PLC ± 1 PLC ± 2 PLC ± SEE L.H.S. 3 PLC ± 4 PLC ± ANGLES ±		APVD T. SASAKI 31JAN03	NAME AMP Mini Common Terminated (CT) Connector 1.5mm PITCH SINGLE ROW POST HDR ASS'Y (V) SMT TYPE WITH BOSS, EMBOSS TAPE PACKAGED				
MATERIAL		PRODUCT SPEC 108-60018	SIZE A3	CAGE CODE 00779	DRAWING NO C-292230	RESTRICTED TO	
FINISH		APPLICATION SPEC 114-5223	SCALE NON		SHEET 1	OF 4	REV B
		CUSTOMER DRAWING					

LOC	DIST	REVISIONS						
FB	00	P	LTR	DESCRIPTION	DATE	DWN	APVD	

TAPE TYPE	TYPE 2	W2	W1	F	E	D	C	B	A	QTY/ REEL	POS	COLOR	ON TAPE P/N	
		DIMENSIONS												
		49.5	45.5	6.2	40.4	29.9	44	32.9	20.2±0.15	500	20	BLACK	7-292230-0	
		49.5	45.5	4.7	40.4	28.4	44	31.4		500	19		6-292230-9	
		49.5	45.5	6.2	40.4	26.9	44	29.9		500	18		6-292230-8	
		49.5	45.5	4.7	40.4	25.4	44	28.4		500	17		6-292230-7	
		49.5	45.5	6.2	40.4	23.9	44	26.9		500	16		6-292230-6	
		49.5	45.5	4.7	40.4	22.4	44	25.4		500	15		6-292230-5	
		49.5	45.5	6.2	40.4	20.9	44	23.9		500	14		6-292230-4	
		49.5	45.5	4.7	40.4	19.4	44	22.4		500	13		6-292230-3	
		37.5	33.5	6.2	28.4	17.9	32	20.9		14.2	500		12	6-292230-2
		37.5	33.5	4.7	28.4	16.4	32	19.4		14.2	500		11	6-292230-1
		37.5	33.5	6.2	28.4	14.9	32	17.9	14.2	500	10	6-292230-0		
		37.5	33.5	4.7	28.4	13.4	32	16.4	14.2	500	9	5-292230-9		
	TYPE 1	29.5	25.5	6.2	-	11.9	24	14.9	11.5	500	8	5-292230-8		
		29.5	25.5	4.7	-	10.4	24	13.4	11.5	500	7	5-292230-7		
		29.5	25.5	6.2	-	8.9	24	11.9	11.5	500	6	5-292230-6		
		29.5	25.5	4.7	-	7.4	24	10.4	11.5	500	5	5-292230-5		
		21.5	17.5	6.2	-	5.9	16	8.9	7.5	500	4	5-292230-4		
		21.5	17.5	4.7	-	4.4	16	7.4	7.5	500	3	5-292230-3		
		21.5	17.5	2.8	-	2.9	16	5.9	7.5	500	2	-		
TAPE TYPE		W2	W1	F	E	D	C	B	A	QTY/ REEL	POS	COLOR	ON TAPE P/N	
		DIMENSIONS												

TAPE TYPE	TYPE 2	W2	W1	F	E	D	C	B	A	QTY/ REEL	POS	COLOR	ON TAPE P/N	
		DIMENSIONS												
		49.5	45.5	6.2	40.4	29.9	44	32.9	20.2±0.15	500	20	BEIGE	2-292230-0	
		49.5	45.5	4.7	40.4	28.4	44	31.4		500	19		1-292230-9	
		49.5	45.5	6.2	40.4	26.9	44	29.9		500	18		1-292230-8	
		49.5	45.5	4.7	40.4	25.4	44	28.4		500	17		1-292230-7	
		49.5	45.5	6.2	40.4	23.9	44	26.9		500	16		1-292230-6	
		49.5	45.5	4.7	40.4	22.4	44	25.4		500	15		1-292230-5	
		49.5	45.5	6.2	40.4	20.9	44	23.9		500	14		1-292230-4	
		49.5	45.5	4.7	40.4	19.4	44	22.4		500	13		1-292230-3	
		37.5	33.5	6.2	28.4	17.9	32	20.9		14.2	500		12	1-292230-2
		37.5	33.5	4.7	28.4	16.4	32	19.4		14.2	500		11	1-292230-1
		37.5	33.5	6.2	28.4	14.9	32	17.9	14.2	500	10	1-292230-0		
		37.5	33.5	4.7	28.4	13.4	32	16.4	14.2	500	9	292230-9		
	TYPE 1	29.5	25.5	6.2	-	11.9	24	14.9	11.5	500	8	292230-8		
		29.5	25.5	4.7	-	10.4	24	13.4	11.5	500	7	292230-7		
		29.5	25.5	6.2	-	8.9	24	11.9	11.5	500	6	292230-6		
		29.5	25.5	4.7	-	7.4	24	10.4	11.5	500	5	292230-5		
		21.5	17.5	6.2	-	5.9	16	8.9	7.5	500	4	292230-4		
		21.5	17.5	4.7	-	4.4	16	7.4	7.5	500	3	292230-3		
		21.5	17.5	2.8	-	2.9	16	5.9	7.5	500	2	-		
TAPE TYPE		W2	W1	F	E	D	C	B	A	QTY/ REEL	POS	COLOR	ON TAPE P/N	
		DIMENSIONS												

THIS DRAWING IS UNPUBLISHED.

COPYRIGHT BY TYCO ELECTRONICS CORPORATION. ALL RIGHTS RESERVED.

DIMENSIONS: mm

TOLERANCES UNLESS OTHERWISE SPECIFIED:

0 PLC	±
1 PLC	±0.1
2 PLC	±0.01
3 PLC	±0.001
4 PLC	±0.0001
ANGLES	±

DWN

CHK

APVD

PRODUCT SPEC  
SEE SHEET 1 OF 4

APPLICATION SPEC  
SEE SHEET 1 OF 4

WEIGHT

CUSTOMER DRAWING

MATERIAL

FINISH

**tyco** Tyco Electronics Corporation  
**Electronics** SHANGHAI, CHINA

NAME AMP Mini Common Terminated (CT) Connector 1.5mm PITCH  
SINGLE ROW POST HDR ASS'Y (V)  
SMT TYPE WITH BOSS, EMBOSS TAPE PACKAGED

SIZE A4 CAGE CODE 00779 DRAWING NO G-292230 RESTRICTED TO -

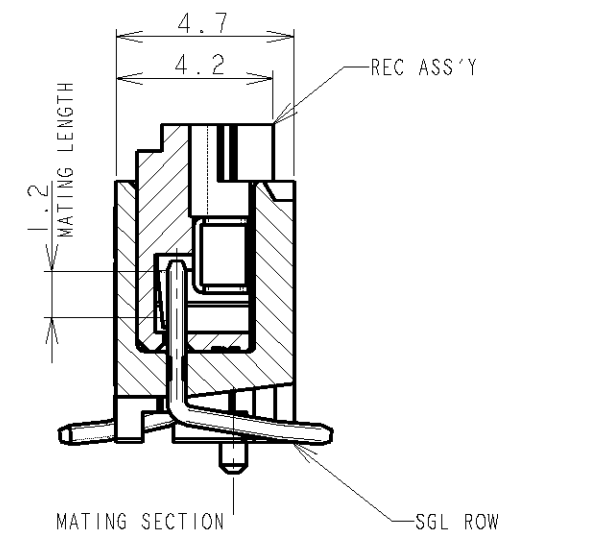
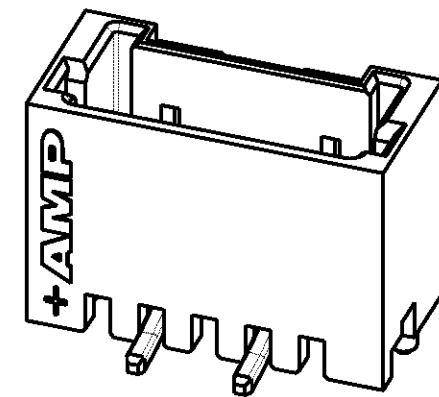
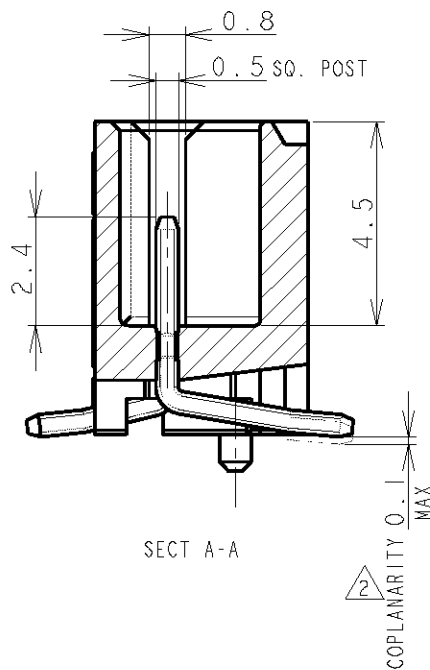
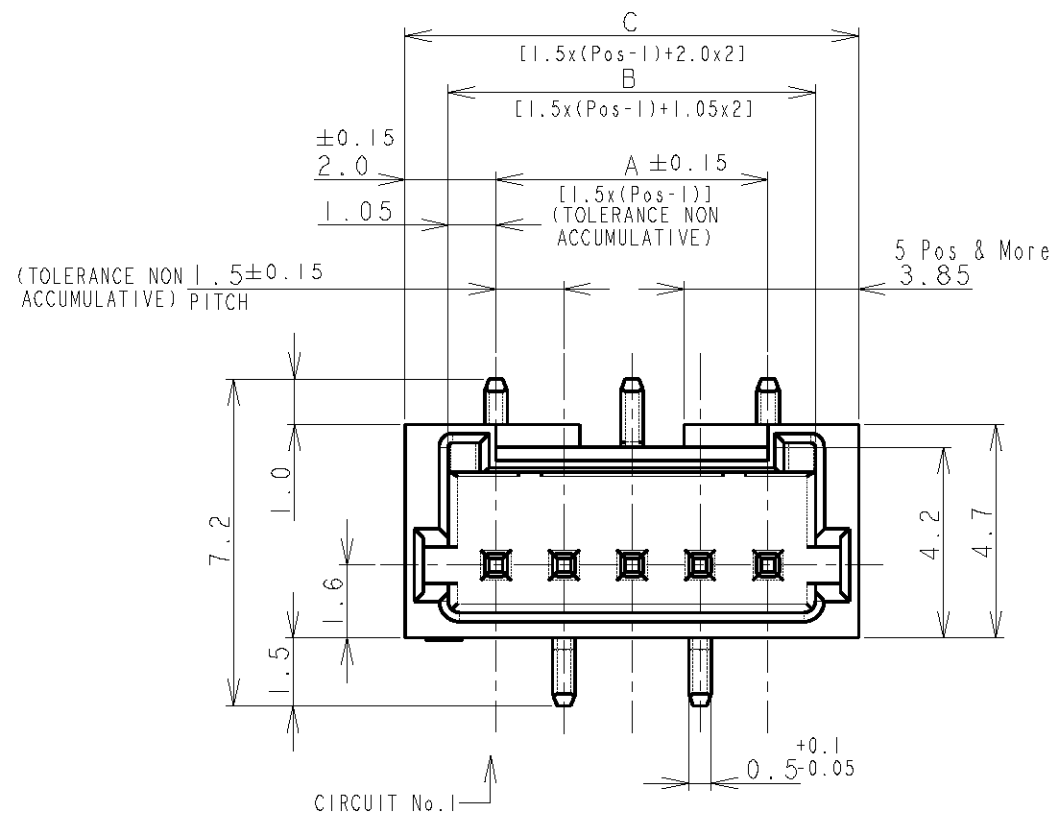
SCALE NON SHEET 2 OF 4 REV B

THIS DRAWING IS UNPUBLISHED.

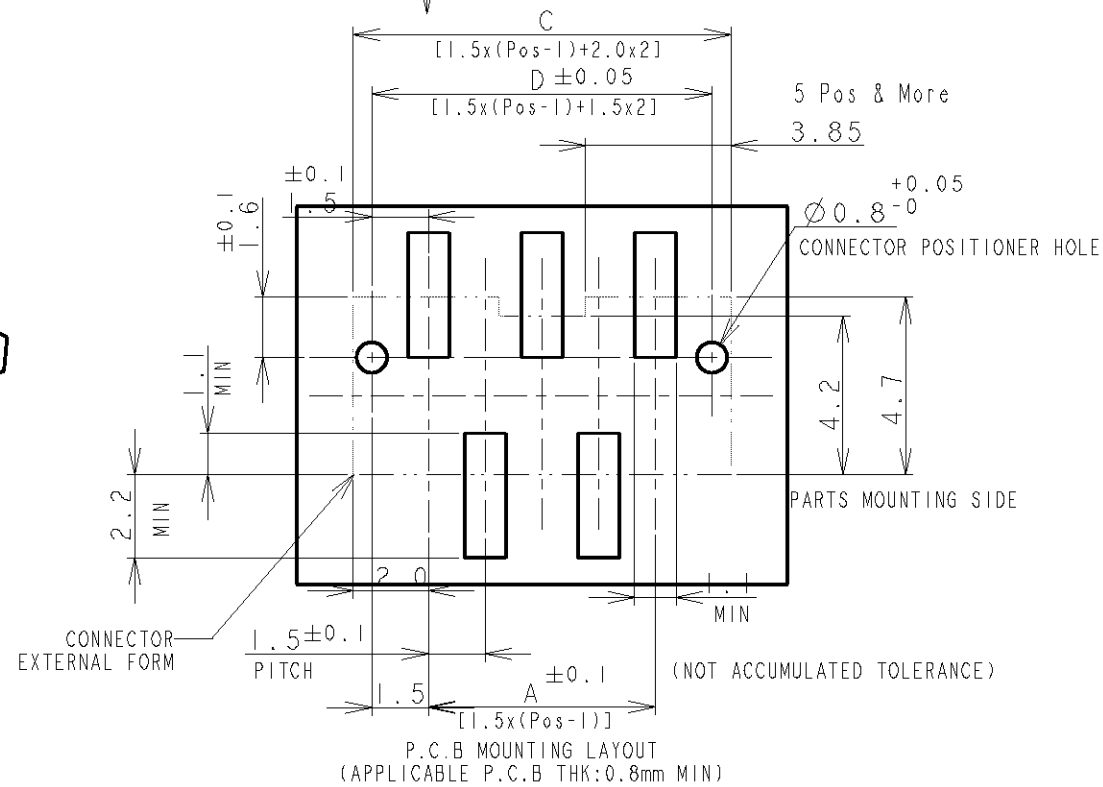
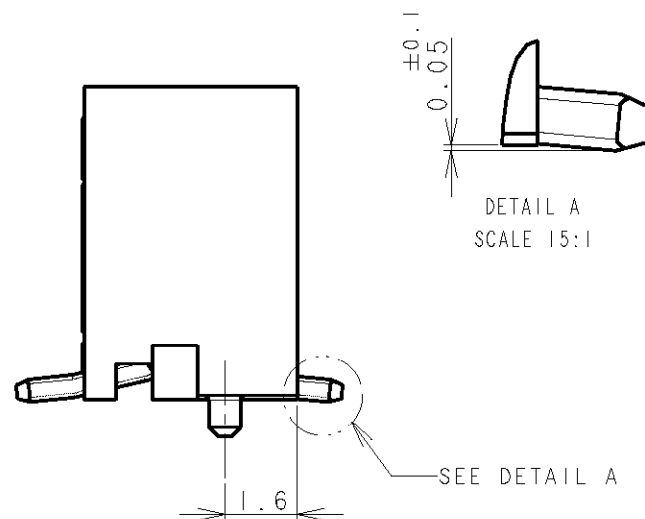
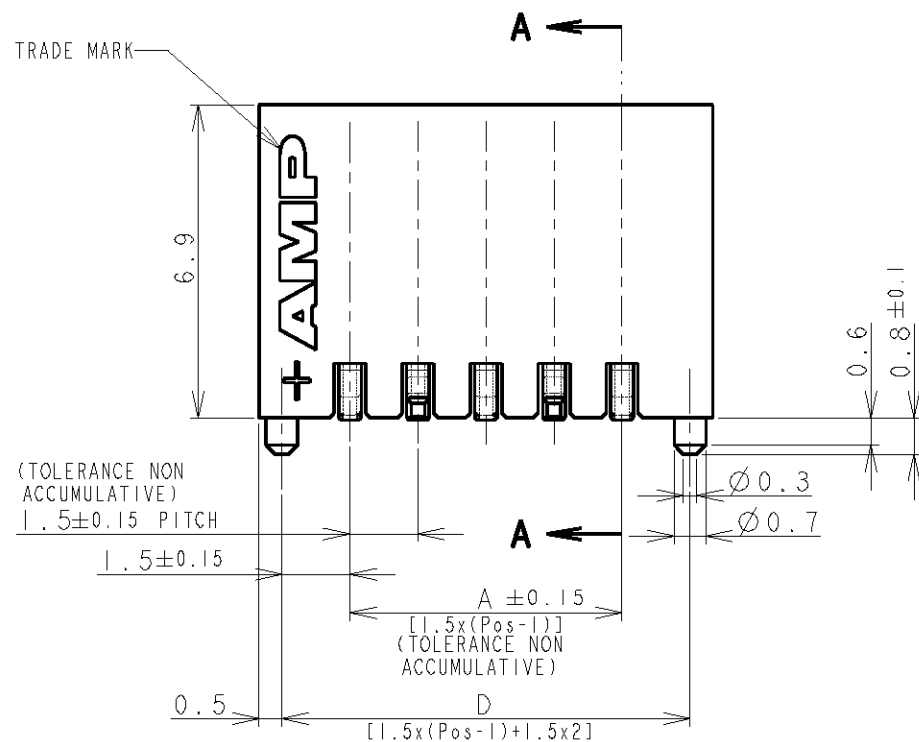
RELEASED FOR PUBLICATION

© COPYRIGHT BY TYCO ELECTRONICS CORPORATION. ALL RIGHTS RESERVED.

LOC	DIST	REVISIONS			
P	LTR	DESCRIPTION	DATE	DWN	APVD
FB	00	SEE SHEET 1			



CIRCUIT No. 1



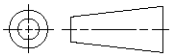
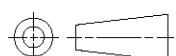
NOTES:  
 1. MATERIAL:  
 HOUSING: GLASS FILLED, HIGH HEAT RESISTANT NYLON, UL94V-0, COLOR: BEIGE OR BLACK  
 POST: Sn-100% BRASS WIRE  
 TO BE MEASURED WITH CONNECTOR PLACED ON HORIZONTAL DATUM SURFACE, FLOAT OF SOLDER TINE FROM DATUM SURFACE IS 0.1mm MAX.

<small>THIS DRAWING IS A CONTROLLED DOCUMENT FOR TYCO ELECTRONICS CORPORATION IT IS SUBJECT TO CHANGE AND THE CONTROLLING ENGINEERING ORGANIZATION SHOULD BE CONTACTED FOR THE LATEST REVISION.</small>		DWN		Tyco Electronics Corporation Shanghai, P.R.China, 200233	
DIMENSIONS: mm		CHK		NAME	AMP MINI COMMON TERMINATION (CT) CONNECTOR 1.5 mm PITCH SINGLE ROW POST HDR ASS'Y (V) SMT TYPE WITH BOSS
		TOLERANCES UNLESS OTHERWISE SPECIFIED: 0 PLC ± 1 PLC ± 2 PLC ± 3 PLC ± 4 PLC ± ANGLES ±		APVD	RESTRICTED TO
MATERIAL SEE NOTE 1		FINISH SEE NOTE 1		PRODUCT SPEC	SIZE
		WEIGHT CUSTOMER DRAWING		APPLICATION SPEC	CAGE CODE
				WEIGHT	DRAWING NO
				WEIGHT	A3 00779 C-292230
				SCALE	NON
				SHEET	3 OF 4
				REV	B

LOC	DIST	REVISIONS					
FB	00	P	LTR	DESCRIPTION	DATE	DWN	APVD
		-		SEE SHEET 1	-	-	-

0.98	31.5	32.5	30.6	28.5	20	7-292230-0	2-292230-0
0.93	30.0	31.0	29.1	27.0	19	6-292230-9	1-292230-9
0.89	28.5	29.5	27.6	25.5	18	6-292230-8	1-292230-8
0.84	27.0	28.0	26.1	24.0	17	6-292230-7	1-292230-7
0.80	25.5	26.5	24.6	22.5	16	6-292230-6	1-292230-6
0.75	24.0	25.0	23.1	21.0	15	6-292230-5	1-292230-5
0.71	22.5	23.5	21.6	19.5	14	6-292230-4	1-292230-4
0.66	21.0	22.0	20.1	18.0	13	6-292230-3	1-292230-3
0.62	19.5	20.5	18.6	16.5	12	6-292230-2	1-292230-2
0.57	18.0	19.0	17.1	15.0	11	6-292230-1	1-292230-1
0.52	16.5	17.5	15.6	13.5	10	6-292230-0	1-292230-0
0.48	15.0	16.0	14.1	12.0	9	5-292230-9	292230-9
0.43	13.5	14.5	12.6	10.5	8	5-292230-8	292230-8
0.39	12.0	13.0	11.1	9.0	7	5-292230-7	292230-7
0.34	10.5	11.5	9.6	7.5	6	5-292230-6	292230-6
0.30	9.0	10.0	8.1	6.0	5	5-292230-5	292230-5
0.25	7.5	8.5	6.6	4.5	4	5-292230-4	292230-4
0.20	6.0	7.0	5.1	3.0	3	5-292230-3	292230-3
0.17	4.5	5.5	3.6	1.5	2	-	-
WEIGHT (g)	D	C	B	A	Pos.	BLACK	BEIGE (NAT)
	DIMENSIONS					P/N	

THIS DRAWING IS UNPUBLISHED. ALL RIGHTS RESERVED. BY TYCO ELECTRONICS CORPORATION. © COPYRIGHT

DIMENSIONS: mm	DWN	MATERIAL SEE SHEET 1	FINISH SEE SHEET 1
TOLERANCES UNLESS OTHERWISE SPECIFIED:	CHK	 Tyco Electronics Corporation Shanghai, P.R.China, 200233	
0 PLC ±	APVD		
1 PLC ±	PRODUCT SPEC	NAME AMP MINI COMMON TERMINATED (CT) CONNECTOR 1.5 mm PITCH SINGLE ROW POST HDR ASS'Y (V) SMT TYPE WITH BOSS	
2 PLC ±	APPLICATION SPEC	SIZE	RESTRICTED TO
3 PLC ±	WEIGHT	CAGE CODE	
4 PLC ±		DRAWING NO	
ANGLES ±		A4 00779	©-292230
	CUSTOMER DRAWING	SCALE	SHEET 4 OF 4 REV B